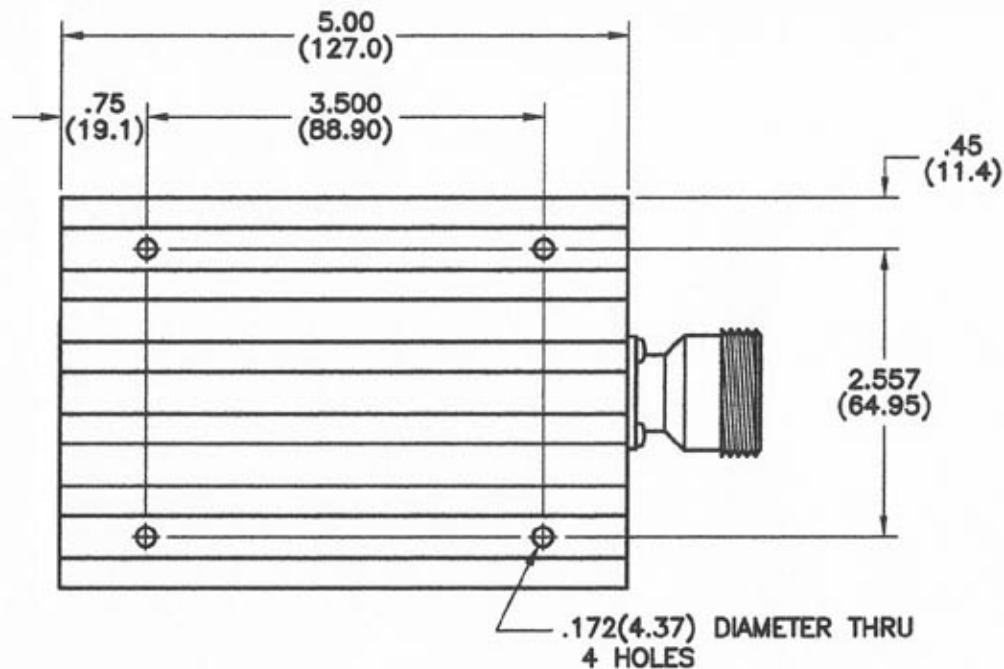


4

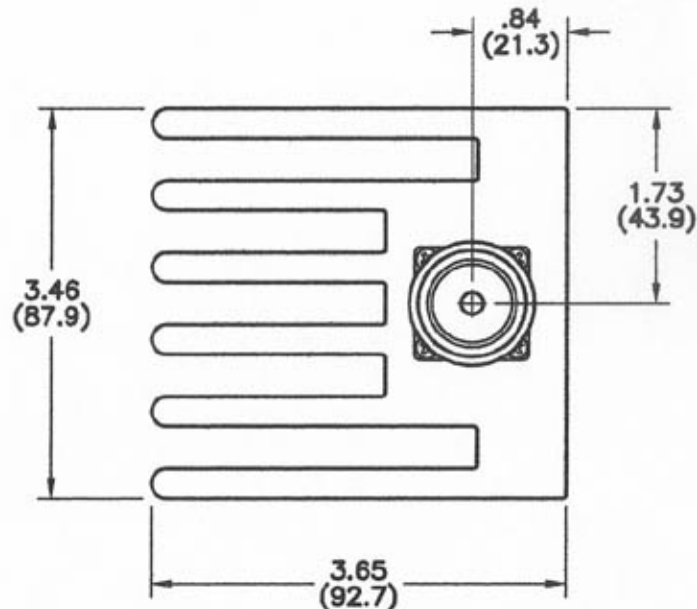
3

2

1



REVISIONS					
REV	ZONE	DESCRIPTION	DATE	BY	ECO



SPECIFICATIONS

FREQUENCY RANGE - DC TO 3.0 GHz

IMPEDANCE - 50 OHMS

VSWR (DC TO 1.5 GHz) - 1.15:1

(1.5 TO 2.4 GHz) - 1.20:1

(2.4 TO 3.0 GHz) - 1.25:1

INPUT POWER (AVG.) - 150 WATTS

(PEAK) - 2000 WATTS

OPERATING TEMPERATURE - -55°C TO +125°C

CONNECTOR - 7/16 DIN FEMALE

DIMENSIONS: INCHES
(MILLIMETERS)

TOLERANCES

DECIMAL ± .03 FRACTION ±

XXX ± .010 AND ±

MATERIAL

FINISH

THE INFORMATION CONTAINED IN THIS DOCUMENT IS THE PROPERTY OF MICROWAVE DEVICES, INC. AND IS PROPRIETARY. IT IS NOT TO BE COPIED OR USED FOR ANY PURPOSE OTHER THAN AS INSTRUCTED, IN WRITING, BY MICROWAVE DEVICES, INC.

SIGNATURES DATE

DR G.V.Cothren 8-8-08

CHK

APPD

APPD

MICROWAVE DEVICES
SIP and Microwave Components

OUTLINE, TERMINATION
MODEL 6150L7F

CAGE 60674 SIZE B DRAWING NO. 900594-11

DRAWING SCALE 1=1 SHEET 1 OF 1

CONTACT: MICROWAVE DEVICES - 1150 N. GRAHAM RD.
FRANKLIN, IN 48131 (317) 756-8833

DIMENSIONS ARE IN INCHES UNLESS OTHERWISE SPECIFIED.

4

3

2

1